

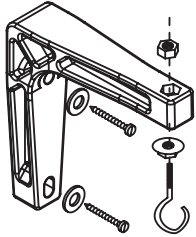
Installation Instructions

Wall Brackets by Draper

Caution

- ① Do not overtighten bolts/screws: Overtightening could damage brackets.
- ② For added safety, crimp "S" hooks so the screen cannot come off.
- ③ Assembly hardware is included; fasteners for attaching to wall are not included.
- ④ Maximum load for wall brackets is 75 lbs; installer is responsible for ensuring the mounting surface is adequate.
- ⑤ Installer is responsible for providing hardware appropriate to mounting surface and size and weight of screen.

6" non-adjustable Extension Brackets



- ① Attach eye bolts to brackets. First, fully seat the flanged nut onto the eye bolt. Then, place a nut in the countersunk hole in the bracket, and screw in the eye bolt.

Please Note: Make sure flanged nut is fully tightened against the wall bracket, but be careful not to overtighten.

- ② Measure distance between mounting holes on the screen, and mark the bracket locations on the wall.
- ③ Mount brackets to wall. Make sure to use provided $\frac{3}{8}$ " washers as shown above to prevent incorrect hardware or overtightening from cracking the bracket.

Please Note: It is the responsibility of the installer to ensure that appropriate hardware is used. The maximum diameter fastener that should be used to attach to the wall is $\frac{5}{16}$ ". $\frac{3}{8}$ " washers are provided.

- ④ Suspend the screen from the eye bolts with "S" hooks.
- ⑤ Crimp both ends of the "S" hooks so the screen cannot come off.

For dimensional drawings and hardware/parts lists, please see reverse side.

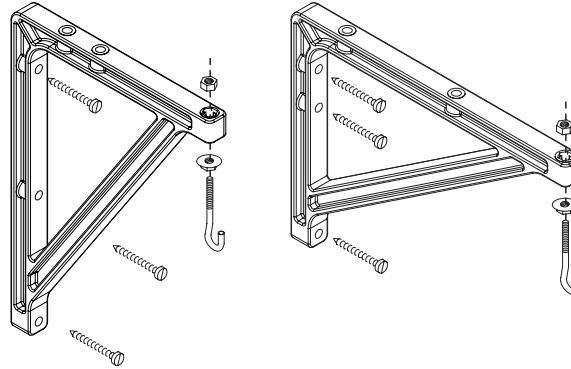
If you encounter any difficulty installing or servicing your Wall Brackets by Draper, all your dealer or Draper, Inc., Spiceland, Indiana, (765) 987-7999, or fax (765) 987-7142.

DRAPER®

411 S. Pearl St., Spiceland, IN 47385 USA ■ 765-987-7999
www.draperinc.com ■ fax 765-987-7142

Copyright ©2008 Draper Inc. Form WallBrackets_Inst08-R2Printed in U.S.A.

10" or 14"
non-adjustable
Extension Brackets



- ① Attach eye bolts to brackets. First, fully seat the flanged nut onto the eye bolt. Then, place a nut in the countersunk hole in the bracket, and screw in the eye bolt.

Please Note: Make sure flanged nut is fully tightened against the wall bracket, but be careful not to overtighten.

- ② Measure distance between mounting holes on the screen, and mark the bracket locations on the wall.
- ③ Mount brackets to wall. For 10" extension from wall, install with the long end against the wall. For 14" extension from wall, install with short end against the wall.

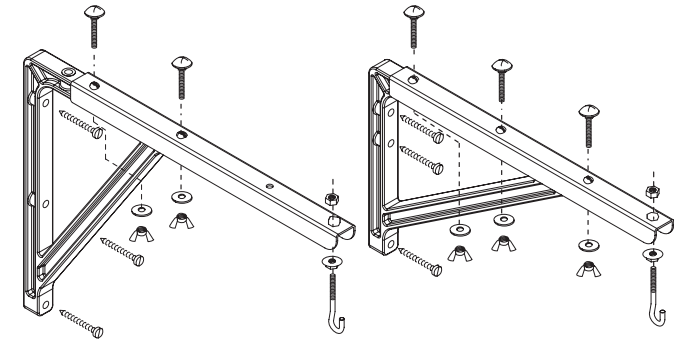
Please Note: It is the responsibility of the installer to ensure that appropriate hardware is used. The maximum diameter fastener that should be used to attach to the wall is $\frac{5}{16}$ ".

- ④ Suspend the screen from the eye bolts with "S" hooks.
- ⑤ Crimp both ends of the "S" hooks so the screen cannot come off.

Please note: When installing wall brackets, flexible driver bit extensions may make it easier to accurately drive the fasteners into the mounting surface.

For dimensional drawings and hardware/parts lists, please see reverse side.

18¼"-24" adjustable or
20" non-adjustable
Extension Brackets



- ① Attach Extension arms to wall brackets. For 20" extension from wall, attach extension arms to short ends of brackets. For 18¼"-24" extension from wall, attach extension arms to short ends of brackets.
- ② Attach eye bolts to brackets. First, fully seat the flanged nut onto the eye bolt. Then, place a nut in the countersunk hole in the bracket, and screw in the eye bolt.

Please Note: Make sure flanged nut is fully tightened against the wall bracket, but be careful not to overtighten.

- ③ Measure distance between mounting holes on the screen, and mark the bracket locations on the wall.
- ④ Mount brackets to wall.

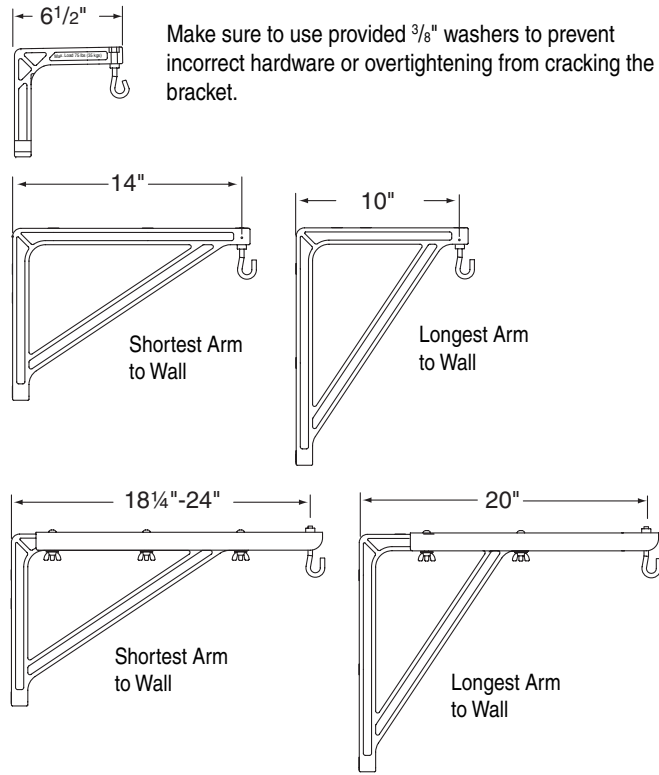
Please Note: It is the responsibility of the installer to ensure that appropriate hardware is used. The maximum diameter fastener that should be used to attach to the wall is $\frac{5}{16}$ ".

- ⑤ Suspend the screen from the eye bolts with "S" hooks.
- ⑥ Crimp both ends of the "S" hooks so the screen cannot come off.






Please note: When installing wall brackets, flexible driver bit extensions may make it easier to accurately drive the fasteners into the mounting surface.

For dimensional drawings and hardware/parts lists, please see reverse side.

Wall Brackets—Dimensions










Hardware Kit for 6" Non-adjustable and 10" & 14" Non-adjustable Extension Brackets

- 5/16"-18 Nut-2 
- 5/16"-18 Flanged Nut-2 
- Eye bolt-2 
- "S" Hook-2 
- 3/8" washer-4 (6" brackets only) 

Please Note: When using "S" hooks to suspend screen from wall brackets, be sure to crimp both ends of the "S" hooks for additional safety.

Hardware Kit for 18 1/4"-24" Adjustable and 20" Non-adjustable Extension Brackets

- 1/4"-20 x 1 1/4" Carriage Bolt-4 
- 1/4" Washer-4 
- 1/4"-20 Wing Nut-4 
- 5/16"-18 Nut-2 
- 5/16"-18 Flanged Nut-2 
- Eye bolt-2 
- "S" Hook-2 

Hardware

Please Note: It is the responsibility of the installer to ensure that appropriate hardware is used. The maximum diameter fastener that should be used to attach to the wall is 5/16".